

ARCHITECT

Perkins + Will  
1777 Arch Street  
Philadelphia, Pennsylvania 19103  
215.589.1900  
215.589.1935

CHIEF ENGINEER

Bohler Engineering  
1800 Manor Drive, Suite 200  
Chadds Ford, PA 19314  
P: 215.996-8100  
F: 215.996-8102

LICENSED ARCHITECT

Wells Appel  
1816 Locust Street  
Philadelphia, PA 19102  
P: 215.251.1577  
F: 215.251.1580

REGISTERED ENGINEER

O'Donnell & Naccarato  
111 South Independence Mall East Suite 500  
Philadelphia, PA 19106  
P: 215.925.3788  
F: 215.927.1651

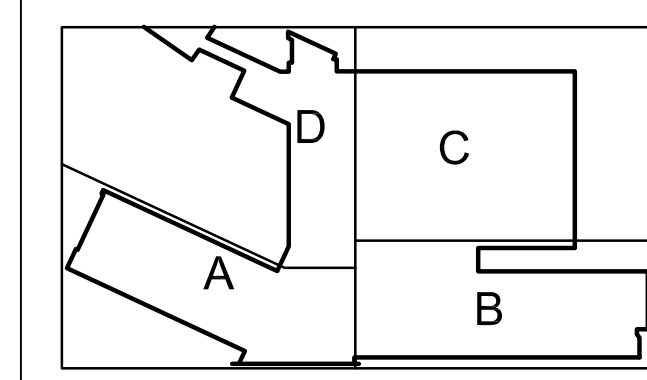
MEP & FIRE PROTECTION ENGINEERS

PWI Engineering  
327 N. 17th St.  
Philadelphia, PA 19103  
P: 215.241.9100  
F: 215.241.9112

TRAFFIC ENGINEERS

Traffic Planning and Design, Inc.  
2 Riverside Drive, Suite 505  
Camden, NJ 08103  
P: 856.966.4242  
F: 856.966.4290

ISSUE FOR  
FHA CLOSING  
06-14-2010



Key Plan



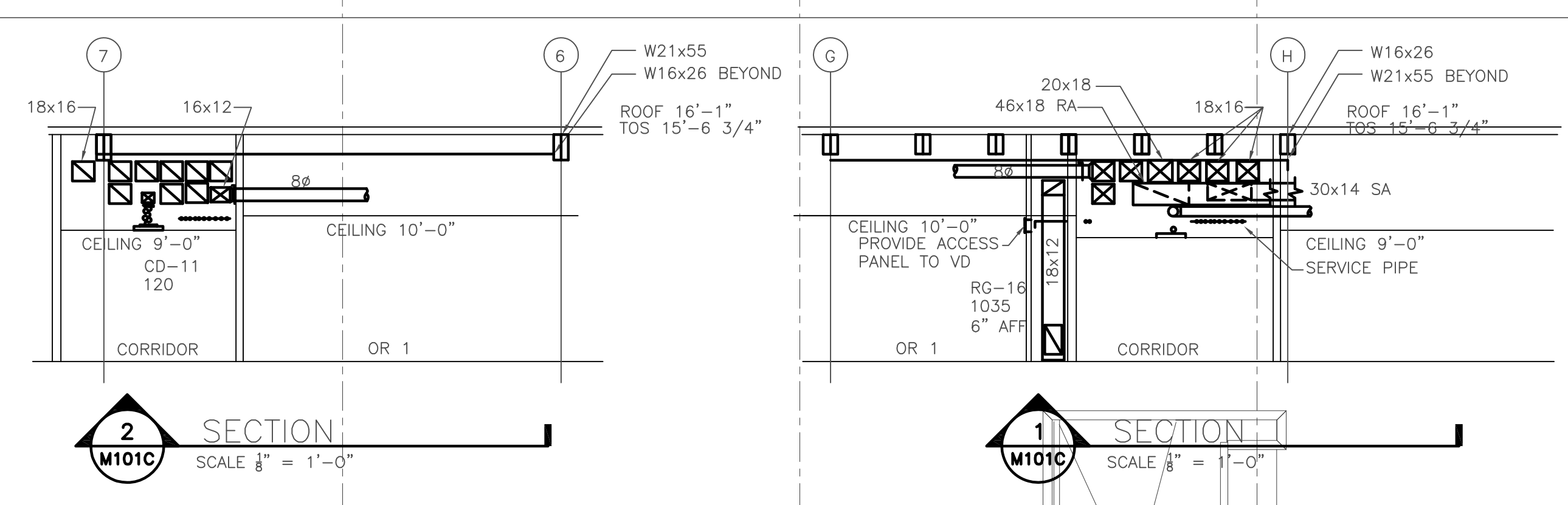
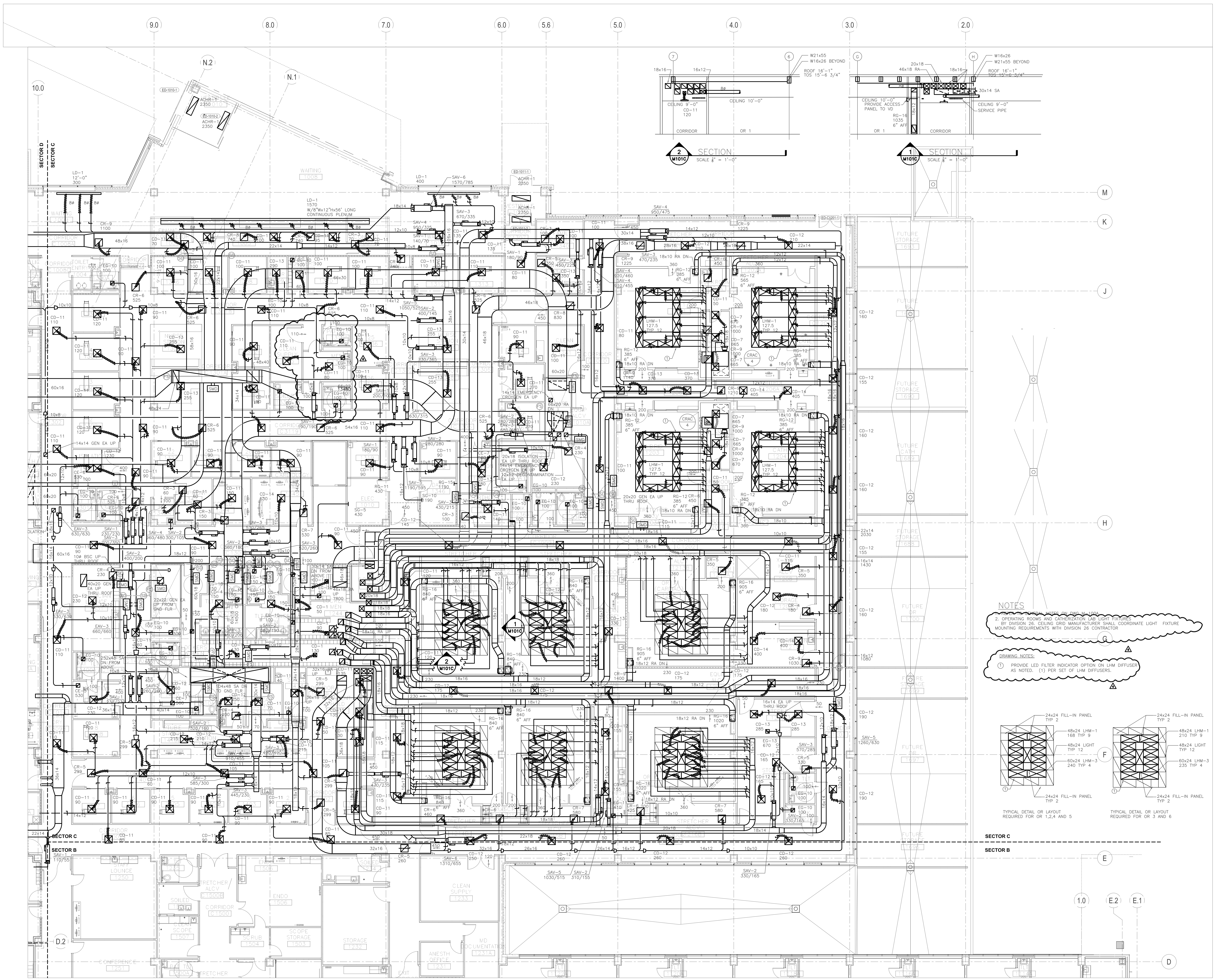
CHANGE PROPOSAL #2  
06-14-2010

NO	ISSUE	DATE
C	ISSUE FOR GMP PERMITS, PUNCH APPROVAL	12-08-09
1	ISSUE FOR EARLY BID	02-17-10
2	ISSUE FOR CONSTRUCTION	03-09-10
4	ISSUE FOR FHA CLOSING PROPOSAL REQUEST #2	06-14-10

Sheet Information	
Date	10/01/2009
Job Number	92801.031
Drawn	XX
Checked	XX
Approved	XX

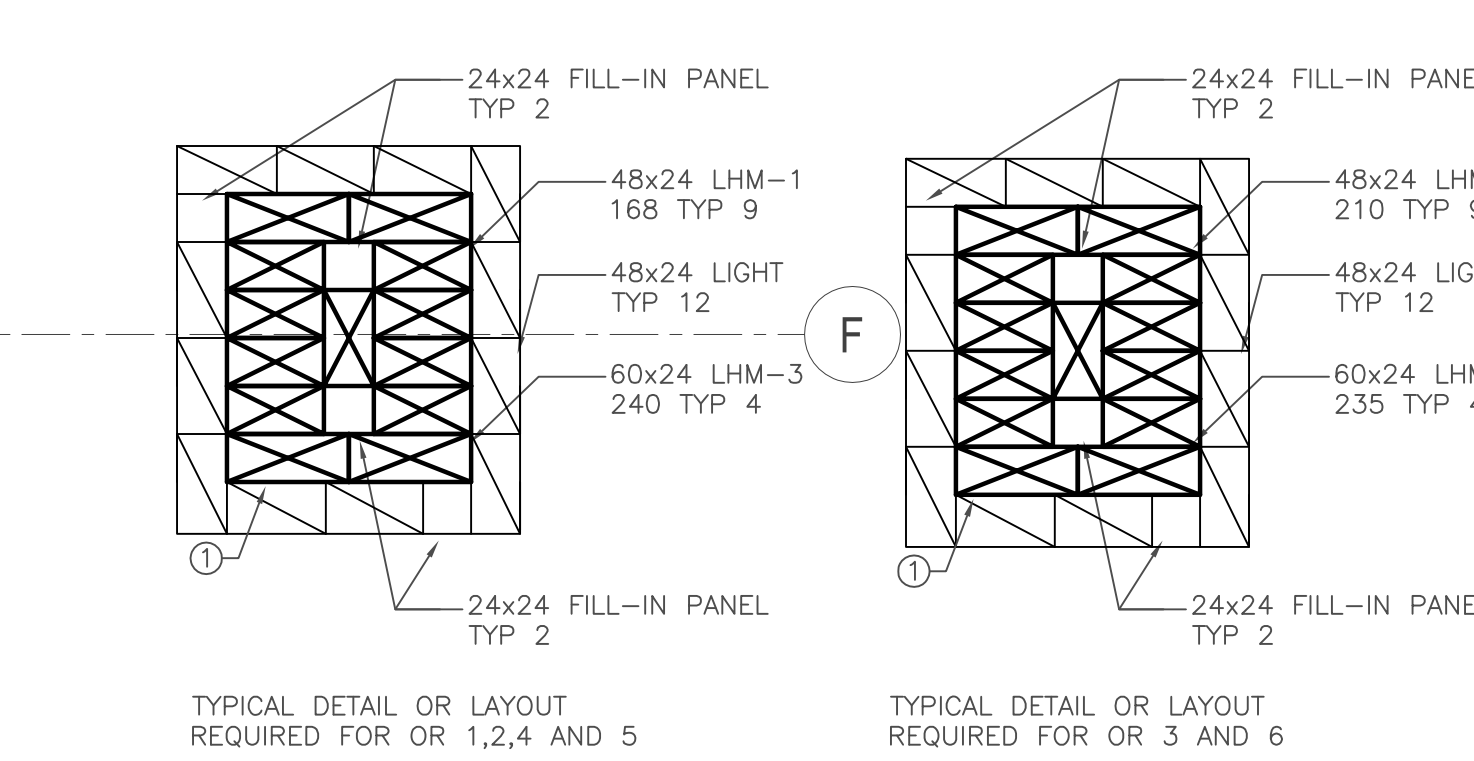
FIRST FLOOR PLAN -  
SECTOR 'C' -  
DUCTWORK

Sheet  
M-101C



NOTES  
2. OPERATING ROOMS AND CATERIZATION LAB LIGHT FIXTURES BY DIVISION 26. CEILING GRID MANUFACTURER SHALL COORDINATE LIGHT FIXTURE MOUNTING REQUIREMENTS WITH DIVISION 26 CONTRACTOR

DRAWING NOTES  
1. PROVIDE LED FILTER INDICATOR OPTION ON LHM DIFFUSER AS NOTED. (1) PER SET OF LHM DIFFUSERS.



1 FIRST FLOOR - SECTOR C  
M-101C SCALE: 1/8"=1'-0"